

PSE12N ♦ PSE12N LI

"EDGE"



Electrical lithium stacker
1200 kg maximum load capacity

DESCRIPTION

The new electric stacker "EDGE" PSE12N is at the forefront of innovation. Powered with a lithium-ion battery, it combines perfectly the advantages of a manual compact stacker and the efficiency of an electric stacker.

**THE MOST COMPACT
STACKER ON THE MARKET**

FEATURES

- Perfect for light to medium duty applications
- Compact and lightweight
- Great maneuverability
- Fast Li-ion battery charging
- 25 Ah built-in charger



**Available
in option**

- Initial lift
on PSE12NLI



Smart ergonomic handle



RFID card access

RFID card provides quick access to the equipment. Ideal when the stacker needs to be used by different operators.



Great maneuverability

The handle has an air spring on the tiller bar to provide greater comfort and safety. Slow speed mode (turtle mode) on PSE12N provides traveling speed control when turning for additional safety.



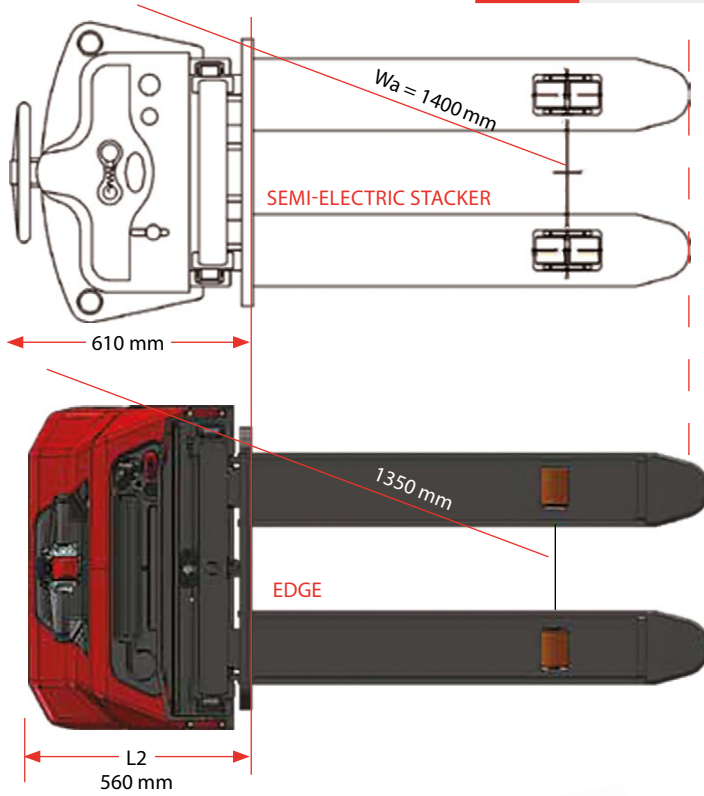
Vertical handle

The stacker can be driven with the steering handle in a vertical position for improved maneuverability in tight spaces without compromising safety.

Innovative and robust chassis design

Robust and compact describe the best new EDGE mainframe. Everything has been thought to increase the unit robustness.

Series	Length L2	Turning radius
PSE12N	560 mm	1350 mm



Steel cover

The main cover is made of 1,5 mm thick steel.



Handle

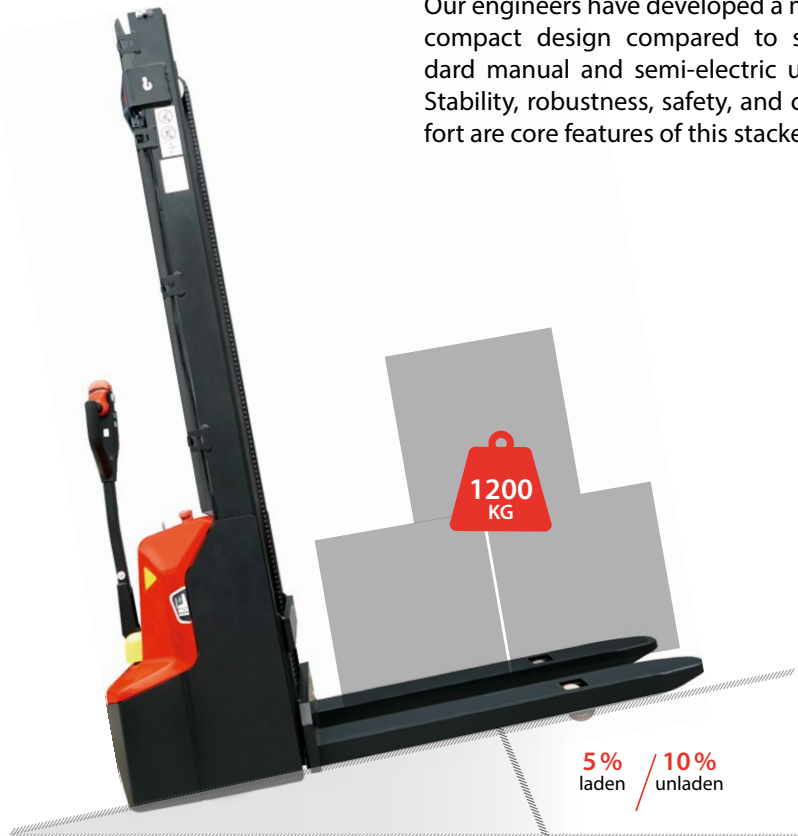
Its 65% fiberglass composition makes it extremely robust.



High residual load capacity

- 1200 kg at 2500 mm
- 1000 kg at 2900 mm
- 800 kg at 3200 mm
- 600 kg at 3600 mm

Our engineers have developed a more compact design compared to standard manual and semi-electric units. Stability, robustness, safety, and comfort are core features of this stacker.



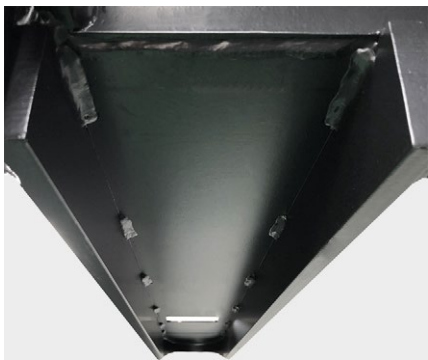
Series	Max. slope laden	Max. slope unladen
PSE12N	5%	10%



Central handle and "smart view" mast

The new EDGE stackers have a central handle to increase maneuverability and the operator's comfort.

The "smart view" mast system lets the operator see 60% of the fork length, providing a clear view.



Robust forks

The steel thickness, the design, and the automatic manufacture of the forks guarantee unmatched robustness.



Photos and dimensions are not contractual. The manufacturer reserves the right to make any modification without notice, in order to improve the performance of the equipment.

Photos and dimensions are not contractual. The manufacturer reserves the right to make any modification without notice, in order to improve the performance of the equipment.

Easy maintenance

Quick and easy access to any component. All elements are within easy reach. No special tools are needed.



The battery management system (BMS) controls all charging and discharging parameters, operating temperature, short-cuts. The BMS and the program system communicate via CAN-BUS.

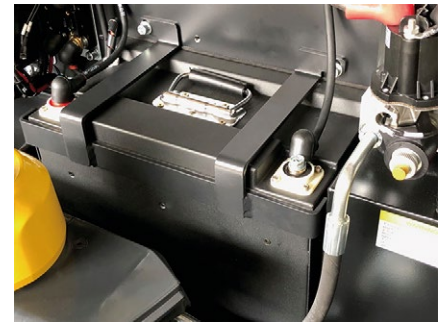


Dashboard with USB port



Lithium battery

24V 60Ah lithium LifePO4 battery with BMS. The screw-type lithium battery terminals are located in a steel compartment.



Charger

PSE12N is equipped with a 25 Ah charger. The standard charging time is 2,5 hours. The battery is rechargeable.



CAN-BUS

The electric system uses CAN-BUS communication protocol, ensuring the system's reliability.



CURTIS

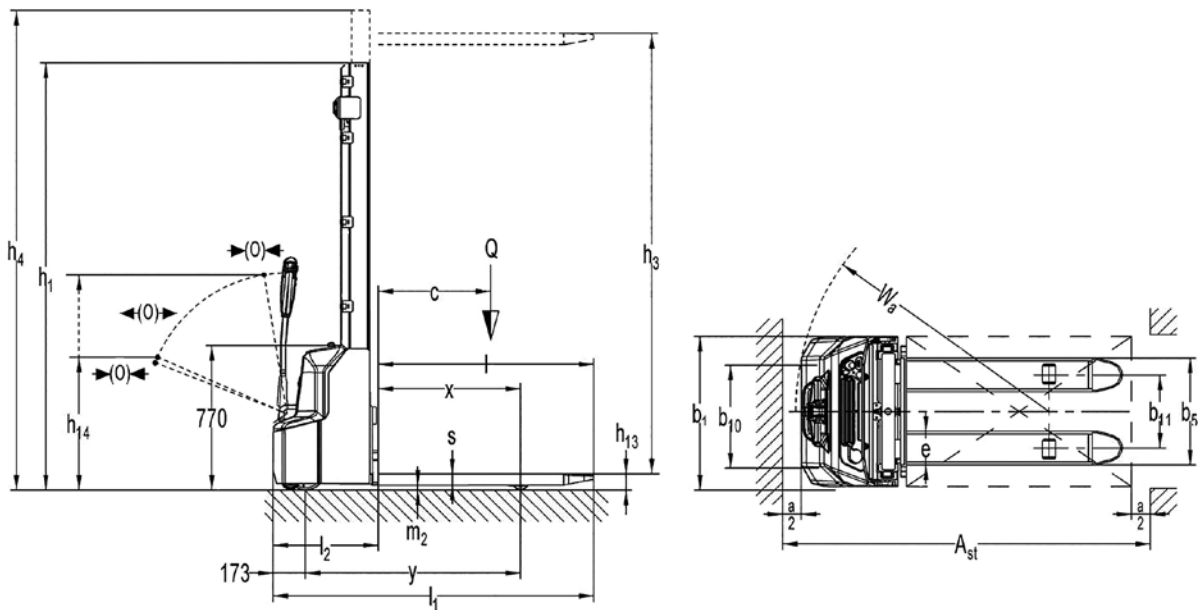


PSE12N stacker is equipped with a maintenance-free 24 V/60Ah LifePO4 Li-ion battery. The fast-charge Li-ion battery has a large number of charge/discharge cycles. A 25 Ah charger is included.





PSE12N



Stockman Reference	Mast	Mast lowered height $h1$ (mm)	Free lift $h2$ (mm)	Standard lift $h3$ (mm)	Mast raised height $h4$ (mm)	Weight (kg)
PSE12N						
PSE12N1600	Single	1930	1514	1514	1930	560
PSE12N2600	Duplex	1780	-	2514	3037	555
PSE12N2900		1930	-	2814	3337	580
PSE12N3200		2080	-	3114	3637	600
PSE12N3600		2280	-	3514	4037	620

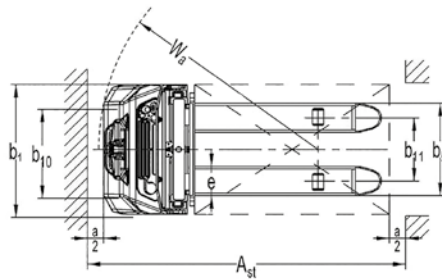
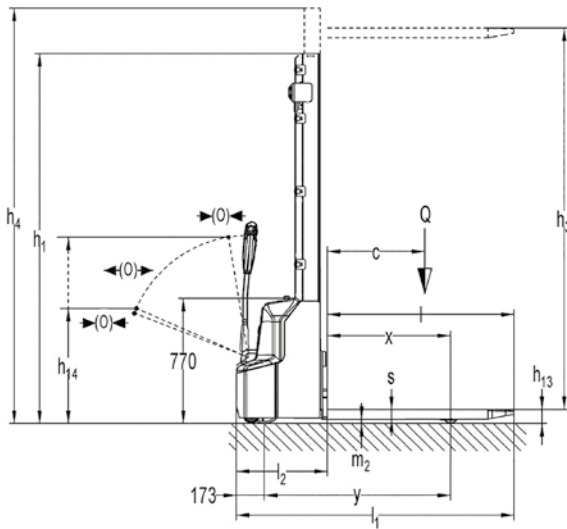
Technical data according to VDI 2198 regulation						
Specifications	1.2	Product Reference ♦ Model		PSE12N1600	PSE12N2600	PSE12N2900
	1.3	Power supply		battery		
	1.4	Operator type		pedestrian		
	1.5	Load Capacity	Q(t)	1,2	1,2	1,2
	1.6	Load center distance	c(mm)	600	600	600
	1.8	Distance from carriage to caster axle	x(mm)	760	760	760
	1.9	Wheelbase	y(mm)	1147	1147	1147
Weight	2.1	Weight (batteries included)	kg	560	555	580
	2.2	Axle load laden front/rear	kg	560/1260	560/1260	560/1260
	2.3	Axle load unladen front/rear	kg	430/190	430/190	430/190
Wheels	3.1	Wheels		polyurethane (PU)		
	3.2	Steering wheel dimensions	Øxw(mm)	Ø210x70	Ø210x70	Ø210x70
	3.3	Load rollers dimensions	Øxw(mm)	Ø84x93	Ø84x93	Ø84x93
	3.4	Stabilizing rollers dimensions	Øxw(mm)	Ø100x50	Ø100x50	Ø100x50
	3.5	Number of front/rear wheels (x=driving wheel)		1x+1/2	1x+1/2	1x+1/2
	3.6	Front axle wheelbase	b10(mm)	550	550	550
	3.7	Load roller wheelbase	b11(mm)	400/515	400/515	400/515
Dimensions	4.2	Mast lowered height	h1(mm)	1930	1780	1930
	4.3	Free lift	h2(mm)	1514	-	-
	4.4	Standard lift	h3(mm)	1514	2514	2814
	4.5	Mast raised height	h4(mm)	1930	3037	3337
	4.9	Tiller height in drive position min./max	h14(mm)	710/1150	710/1150	710/1150
	4.15	Fork lowered height	h13(mm)	86	86	86
	4.19	Overall length	l1(mm)	1710	1710	1710
	4.20	Front axle to fork face length	l2(mm)	560	560	560
	4.21	Overall width	b1(mm)	800	800	800
	4.22	Fork dimensions	s/e/l(mm)	60/180/1150	60/180/1150	60/180/1150
	4.25	Width across forks	b5(mm)	570/685	570/685	570/685
	4.32	Ground clearance	m2(mm)	26	26	26
	4.33	Aisle width for 1000x1200 mm pallets crossways	Ast(mm)	2197	2197	2197
	4.34	Aisle width for 800x1200 mm pallets lengthways	Ast(mm)	2145	2145	2145
4.35	Turning radius	Wa(mm)	1350	1350	1350	
Performances	5.1	Travel speed, laden/unladen	km/h	4,5/4,7	4,5/4,7	4,5/4,7
	5.2	Lift speed, laden/unladen	mm/s	120/190	120/190	120/190
	5.3	Lowering speed, laden/unladen	mm/s	110/130	110/130	110/130
	5.8	Gradeability laden/unladen	%	5/10	5/10	5/10
	5.10	Service brake		electromagnetic		
Electrical system	6.1	Drive motor rating S2 60 min	kW	0,65	0,65	0,65
	6.2	Lift motor rating at S3 15 %	kW	2,2	2,2	2,2
	6.3	Battery acc. to DIN 43531 / 35 / 36 A, B, C, No		no	no	no
	6.4	Battery voltage, nominal capacity K5	V/Ah	24/60 Li-ion	24/60 Li-ion	24/60 Li-ion
	6.5	Battery weight	kg	19	19	19
	6.6	Energy consumption acc. to VDI cycle	kWh/h	0,8	0,8	0,8
Additional data	8.1	Type of drive control		DC	DC	DC
	8.4	Noise level at driver's ear acc. to EN12053	dB(A)	<70	<70	<70

Technical data according to VDI 2198 regulation					
Specifications	1.2	Product Reference ♦ Model		PSE12N3200	PSE12N3600
	1.3	Power supply		battery	battery
	1.4	Operator type		pedestrian	pedestrian
	1.5	Load Capacity	Q(t)	1,2	1,2
	1.6	Load center distance	c(mm)	600	600
	1.8	Distance from carriage to caster axle	x(mm)	760	760
	1.9	Wheelbase	y(mm)	1147	1147
Weight	2.1	Weight (batteries included)	kg	600	620
	2.2	Axle load laden front/rear	kg	560/1260	560/1260
	2.3	Axle load unladen front/rear	kg	430/190	430/190
Wheels	3.1	Wheels		polyurethane (PU)	polyurethane (PU)
	3.2	Steering wheel dimensions	Øxw(mm)	Ø210x70	Ø210x70
	3.3	Load rollers dimensions	Øxw(mm)	Ø84x93	Ø84x93
	3.4	Stabilizing rollers dimensions	Øxw(mm)	Ø100x50	Ø100x50
	3.5	Number of front/rear wheels (x= driving wheel)		1x+1/2	1x+1/2
	3.6	Front axle wheelbase	b10(mm)	550	550
	3.7	Load roller wheelbase	b11(mm)	400/515	400/515
Dimensions	4.2	Mast lowered height	h1(mm)	2080	2280
	4.3	Free lift	h2(mm)	-	-
	4.4	Standard lift	h3(mm)	3114	3514
	4.5	Mast raised height	h4(mm)	3637	4037
	4.9	Tiller height in drive position min/max	h14(mm)	710/1150	710/1150
	4.15	Fork lowered height	h13(mm)	86	86
	4.19	Overall length	l1(mm)	1710	1710
	4.20	Front axle to fork face length	l2(mm)	560	560
	4.21	Overall width	b1(mm)	800	800
	4.22	Fork dimensions	s/e/l(mm)	60/180/1150	60/180/1150
	4.25	Width across forks	b5(mm)	570/685	570/685
	4.32	Ground clearance	m2(mm)	26	26
	4.33	Aisle width for 1000x1200 mm pallets crossways	Ast(mm)	2197	2197
4.34	Aisle width for 800x1200 mm pallets lengthways	Ast(mm)	2145	2145	
4.35	Turning radius	Wa(mm)	1350	1350	
Performances	5.1	Travel speed, laden/unladen	km/h	4,5/4,7	4,5/4,7
	5.2	Lift speed, laden/unladen	mm/s	120/190	120/190
	5.3	Lowering speed, laden/unladen	mm/s	110/130	110/130
	5.8	Gradeability laden/unladen	%	5/10	5/10
	5.10	Service brake		electromagnetic	electromagnetic
Electrical system	6.1	Drive motor rating S2 60 min	kW	0,65	0,65
	6.2	Lift motor rating at S3 15 %	kW	2,2	2,2
	6.3	Battery acc. to DIN 43531 / 35 / 36 A, B, C, No		no	no
	6.4	Battery voltage, nominal capacity K5	V/Ah	24/60 Li-ion	24/60 Li-ion
	6.5	Battery weight	kg	19	19
	6.6	Energy consumption acc. to VDI cycle	kWh/h	0,8	0,8
Additional data	8.1	Type of drive control		DC	DC
	8.4	Noise level at driver's ear acc. to EN12053	dB(A)	<70	<70

Photos and dimensions are not contractual. The manufacturer reserves the right to make any modification without notice, in order to improve the performance of the equipment.



PSE12N LI INITIAL LIFT



Stockman Reference	Mast	Mast lowered height $h1$ (mm)	Free lift $h2$ (mm)	Standard lift $h3$ (mm)	Mast raised height $h4$ (mm)	Weight (kg)
PSE12N LI						
PSE12N1600LI	Single	1970	1514	1514	1970	555
PSE12N2600LI	Duplex	1820	-	2514	3077	630
PSE12N2900LI		1970	-	2814	3377	642
PSE12N3200LI		2120	-	3114	3677	654
PSE12N3600LI		2320	-	3514	4077	670

Technical data according to VDI 2198 regulation				
Specifications	1.2	Product Reference ♦ Model		PSE12N LI
	1.3	Power supply		battery
	1.4	Operator type		pedestrian
	1.5	Load Capacity	Q (t)	1,2
	1.6	Load center distance	c (mm)	600
	1.8	Distance from carriage to caster axle	x (mm)	760
	1.9	Wheelbase	y (mm)	1187
Weight	2.1	Weight (batteries included)	kg	see table opposite
	2.2	Axle load laden front / rear	kg	560/1275
	2.3	Axle load unladen front / rear	kg	440/195
Wheels	3.1	Wheels		polyurethane (PU)
	3.2	Steering wheel dimensions	Øxw (mm)	Ø210x70
	3.3	Load rollers dimensions	Øxw (mm)	Ø84x93
	3.4	Stabilizing rollers dimensions	Øxw (mm)	Ø100x50
	3.5	Number of front/rear wheels (x = driving wheel)		1x+1/2
	3.6	Front axle wheelbase	b10 (mm)	550
	3.7	Load roller wheelbase	b11 (mm)	400/515
Dimensions	4.2	Mast lowered height	h1 (mm)	see table opposite
	4.4	Standard lift	h3 (mm)	see table opposite
	4.5	Mast raised height	h4 (mm)	see table opposite
	4.6	Initial lift	h5 (mm)	120
	4.9	Tiller height in drive position min/max	h14 (mm)	710/1150
	4.15	Fork lowered height	h13 (mm)	86
	4.19	Overall length	l1 (mm)	1750
	4.20	Front axle to fork face length	l2 (mm)	600
	4.21	Overall width	b1 (mm)	800
	4.22	Fork dimensions	s/e/l (mm)	60/180/1150
	4.25	Width across forks	b5 (mm)	570/685
	4.32	Ground clearance	m2 (mm)	20
	4.33	Aisle width for 1000x1200 mm pallets crossways	Ast (mm)	2237
	4.34	Aisle width for 800x1200 mm pallets lengthways	Ast (mm)	2185
4.35	Turning radius	Wa (mm)	1390	
Performances	5.1	Travel speed, laden/unladen	km/h	4,5/4,7
	5.2	Lift speed, laden/unladen	mm/s	120/190
	5.3	Lowering speed, laden/unladen	mm/s	110/130
	5.8	Gradeability laden/unladen	%	5/10
	5.10	Service brake		electromagnetic
Electrical system	6.1	Drive motor rating S2 60 min	kW	0,65
	6.2	Lift motor rating at S3 15 %	kW	2,2
	6.3	Battery acc. to DIN 43531 / 35 / 36 A, B, C, No		no
	6.4	Battery voltage, nominal capacity K5	V/Ah	24/60 Li-ion
	6.5	Battery weight	kg	19
	6.6	Energy consumption acc. to VDI cycle	kWh/h	0,8
Additional data	8.1	Type of drive control		DC
	8.4	Noise level at driver's ear acc. to EN12053	dB(A)	<70

RESIDUAL CAPACITY

SX ♦ Single

DX ♦ Duplex

TX ♦ Triplex

SL ♦ Straddle legs

FFL ♦ Full free lift

LI ♦ Initial lift

LP ♦ Proportional lift

DA ♦ Electrical power steering

SC ♦ Built-in weighing scale

CP ♦ Pin code

PSE12N ♦ PP. 98 TO 107

PSE12N1600
 PSE12N2600
 PSE12N2900
 PSE12N3200
 PSE12N3600



PSE12N1600

h3 (mm)	Q (kg)	
1600	1200	1000

cdg (mm)	600	700	
----------	-----	-----	--

PSE12N2600

h3 (mm)	Q (kg)	
2600	1000	800
2500	1200	1000

cdg (mm)	600	700	
----------	-----	-----	--

PSE12N2900

h3 (mm)	Q (kg)	
2900	900	700
2500	1200	1000

cdg (mm)	600	700	
----------	-----	-----	--

PSE12N3200

h3 (mm)	Q (kg)	
3200	800	600
2900	1000	800
2500	1200	1000

cdg (mm)	600	700	
----------	-----	-----	--

PSE12N3600

h3 (mm)	Q (kg)	
3600	700	500
3200	800	600
2900	1000	800
2500	1200	1000

cdg (mm)	600	700	
----------	-----	-----	--